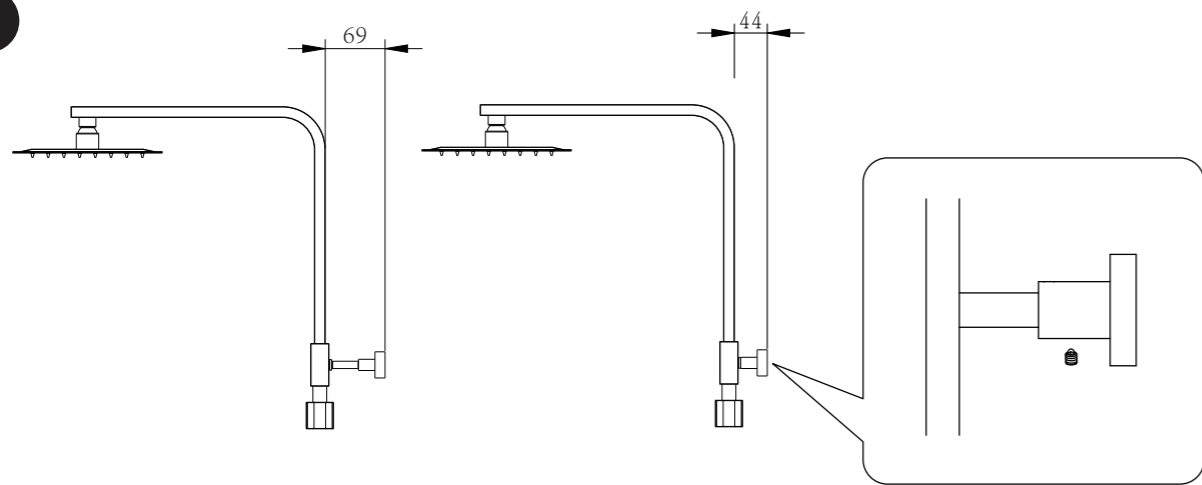
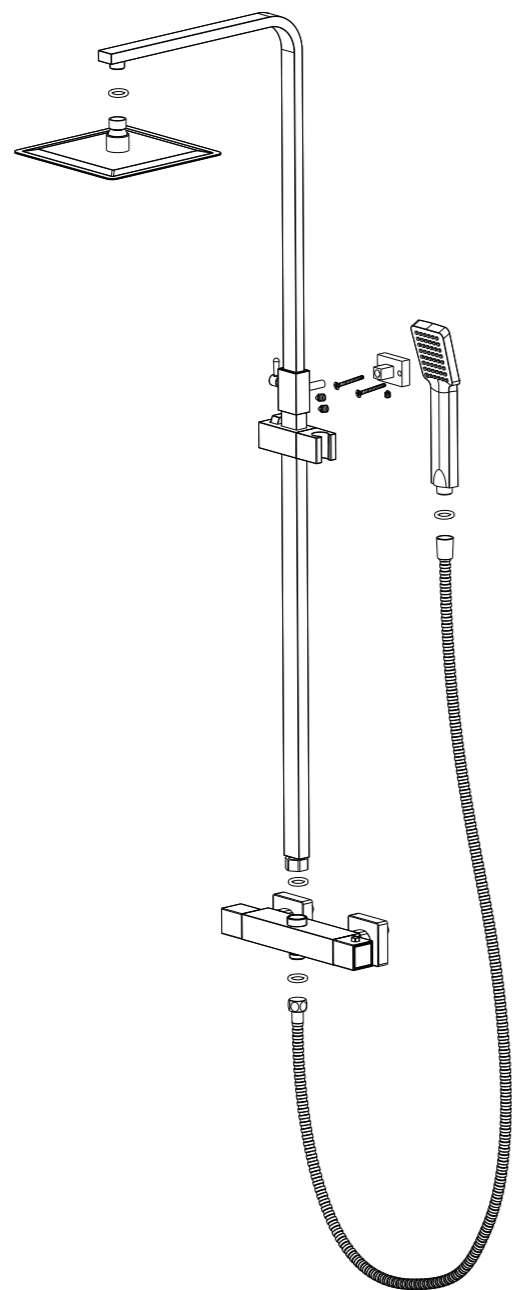


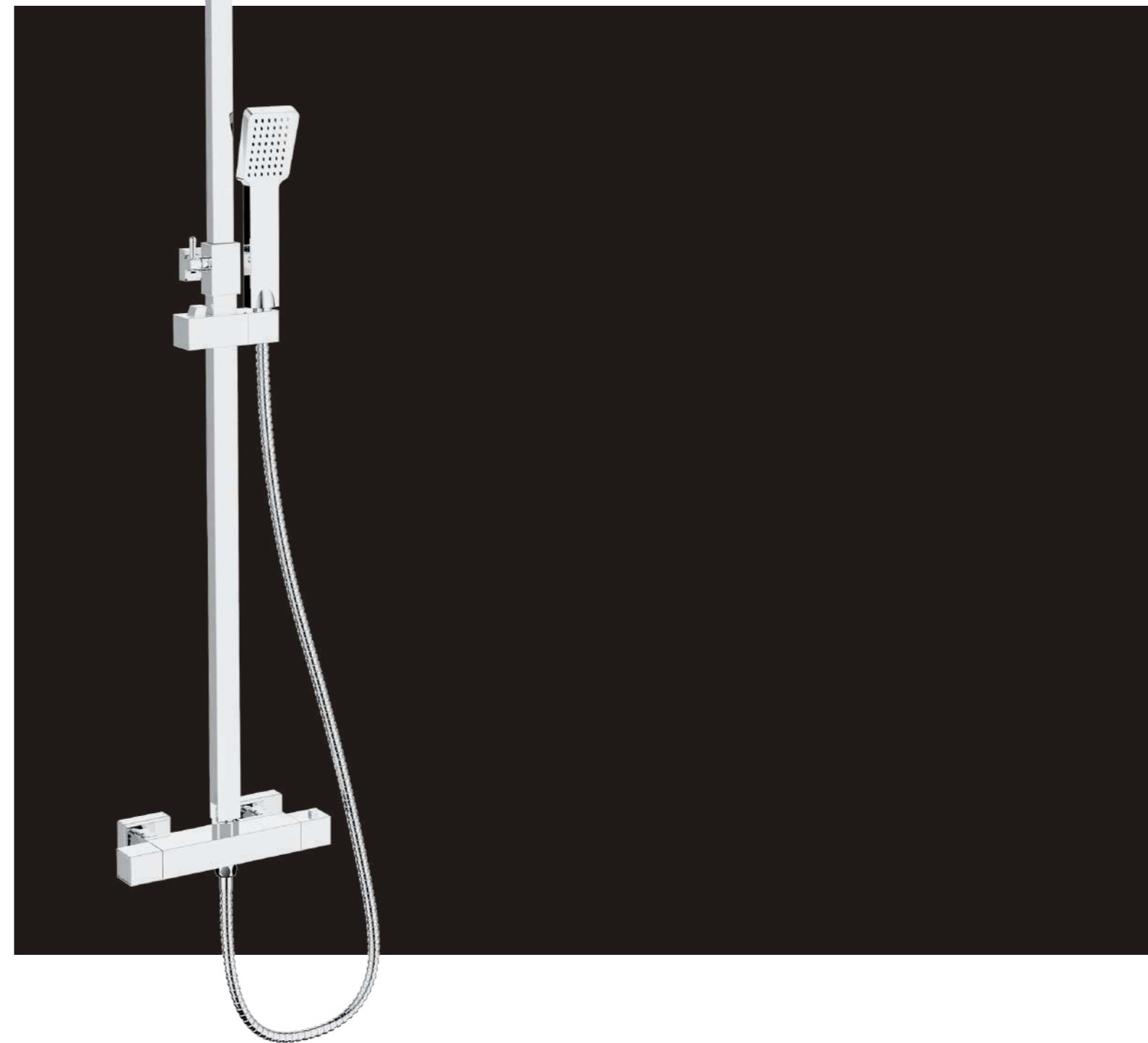
7



8



MOUNTING INSTRUCTION



VERY IMPORTANT: Wash with water and neutral SOAP.
Do not use cleaning products or other corrosive as hydroxide, ammonia, which can damage the product.

MOUNTING INSTRUCTION

- 1) Proceed to installation of the column according to the following indications of breakdown drawing (Pic.1) and assembly diagrams.
- 2) and 3) Mount the mixer on the wall to check with a level that is perfectly parallel to the ground.
- 4) Present column on the wall couple with the mixer temporarily. Extend to the desired length, , in order to ensure stability and integrity of the system.
- 5) Assemble the nether tube, shower holder and upper tube according the Pic 5.
- 6) Ensure the column is perfectly vertical and mark the hole of bracket. Then remove the column off the wall, make the hole attach the bracket to the wall and put screw plug without fixing. Then reattach the column with the mixer along with the wall mount and fix the whole set in the wall.
- 7) Adjust the distance of the column to the wall by loosening the allen screw bracket to make sure this is perfectly parallel to the wall.
- 8) Column attached to the sprinkler and shower hose, all parts should be used with the corresponding rubber seals.

